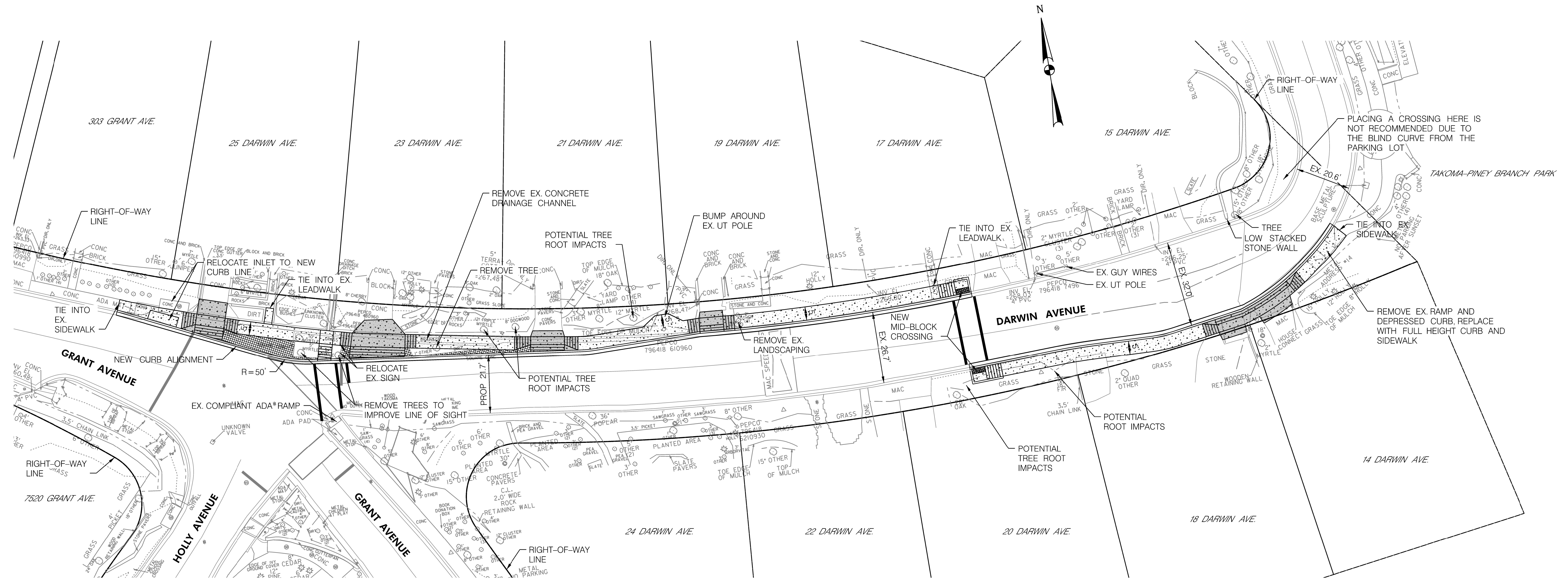
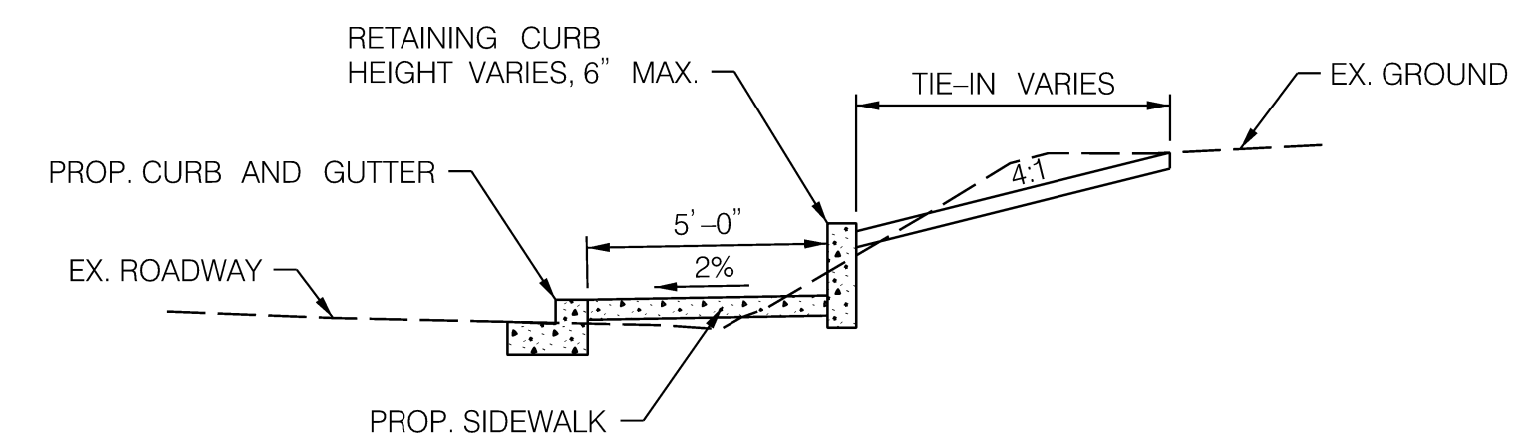


# SIDEWALK IMPROVEMENTS ALONG CHESTNUT AVE., HODGES LANE AND DARWIN AVE. CONCEPT DESIGN – ALTERNATIVE LAYOUT AUGUST 2024



- CONCRETE DRIVEWAY
- CONCRETE SIDEWALK
- DETECTABLE WARNING SURFACE
- REMOVAL OF EXISTING CONCRETE / ASPHALT



TYPICAL SECTION FOR SIDEWALK WITH BACK CURB  
DARWIN AVENUE

**DESIGN NOTES**

1. POSSIBLE TREE REMOVALS – 3
2. POSSIBLE TREE ROOT IMPACTS – 5
3. POSSIBLE PINCH POINTS – 0

<p><b>Whitman, Requardt &amp; Associates, LLP</b> 801 South Caroline Street, Baltimore, Maryland 21231</p>	<p>CITY OF <b>TAKOMA PARK</b></p>
	<p>31 OSWEGO AVENUE SILVER SPRING, MD 20910</p>

