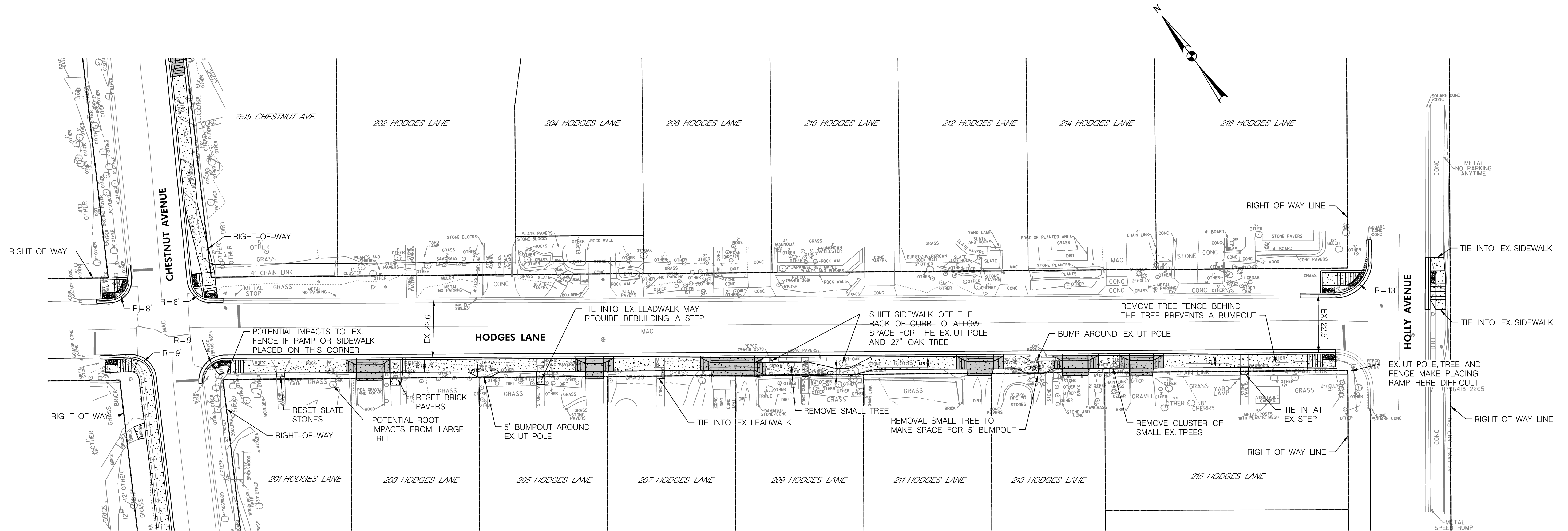
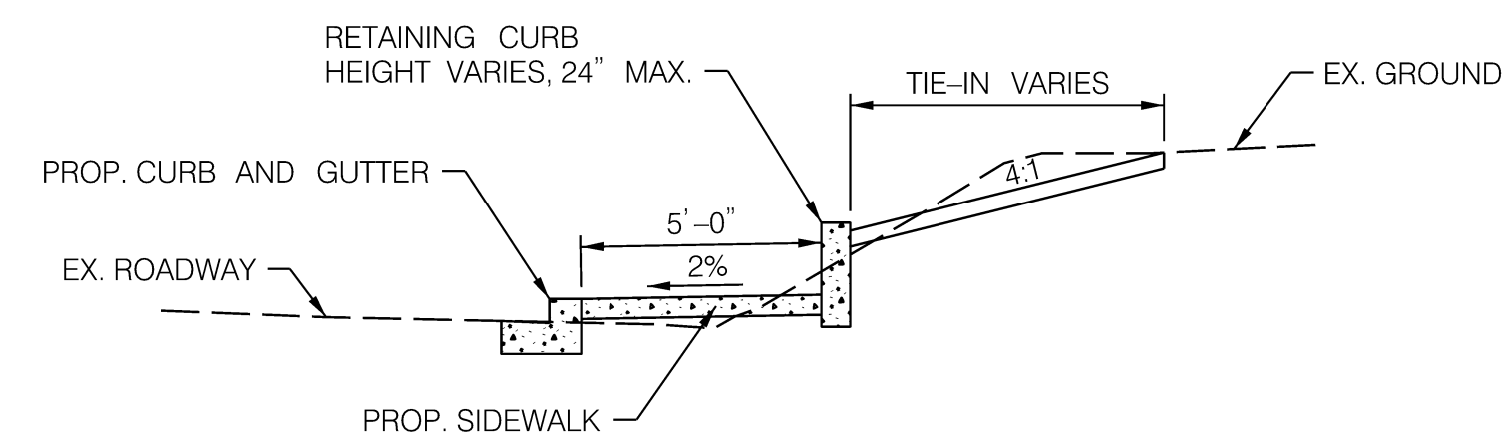


# SIDEWALK IMPROVEMENTS ALONG CHESTNUT AVE., HODGES LANE AND DARWIN AVE. CONCEPT DESIGN – ALTERNATIVE LAYOUT AUGUST 2024



- CONCRETE DRIVEWAY
- CONCRETE SIDEWALK
- DETECTABLE WARNING SURFACE
- REMOVAL OF EXISTING CONCRETE / ASPHALT



TYPICAL SECTION FOR SIDEWALK WITH BACK CURB  
HODGES LANE

**DESIGN NOTES**

1. POSSIBLE TREE REMOVALS – 3
2. POSSIBLE TREE ROOT IMPACTS – 2
3. POSSIBLE PINCH POINTS – 2

|   |   |
|---|---|
| <br><b>Whitman, Requardt &amp; Associates, LLP</b><br><small>801 South Caroline Street, Baltimore, Maryland 21231</small> | CITY OF<br><b>TAKOMA PARK</b>               |
|   | 31 OSWEGO AVENUE<br>SILVER SPRING, MD 20910 |

