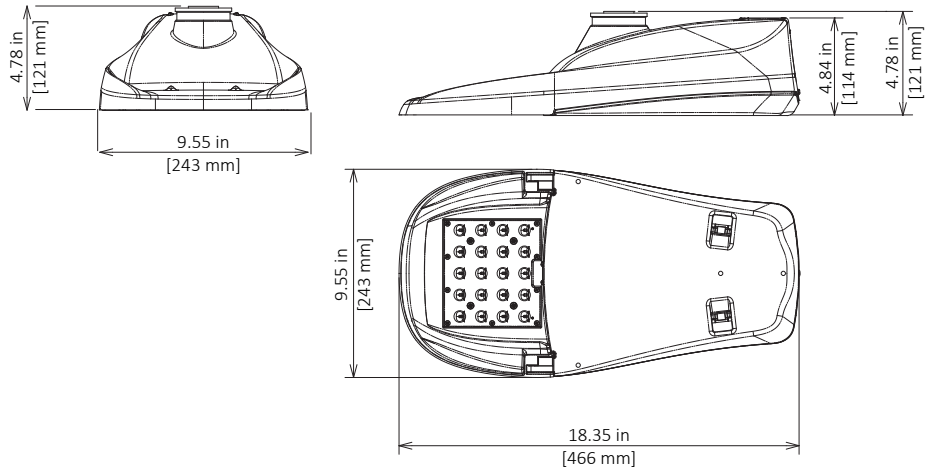


GreenCobra™ Jr. LED Street Light

GCJ H-Series 2700K Specification Data Sheet

Luminaire Data

Weight 7 lbs [3.2 kg]
EPA 0.39 ft²



Ordering Information

Sample Catalog No. GCJ1 20H MV 27 2R GY 580

Product	LED Code	Voltage	Color Temperature	Distribution	Finish ¹	GCJ0 Drive Current Code ²	Options
GCJ0	15H	MV 120-277V HV 347-480V	27 2700K	2R Type 2 3 Type 3 4 Type 4 5 Type 5	GY Gray DB Dark Bronze BK Black	300	FDC ³ Fixed Drive Current
						390	FFA ⁴ Full Field Adjustability
GCJ1	20H					490	LPCR Less Photocontrol Receptacle
						590	PCR7 ⁵ ANSI 7-wire Photo-control Receptacle
						700	PCR7-CR ⁶ Control Ready 7-wire PC Receptacle
						GCJ1 Drive Current Code ²	WL Utility Wattage Label
GCJ2	20H					350	4B 4-Bolt Mounting Bracket
						450	RWG Rubber Wildlife Guard
						530	SWTB Straight Wire Terminal Block
						580	BBL Bubble Level
						700	CF ⁷ Coastal Paint Finish
						GCJ2 Drive Current Code ²	
		700					
		830					
		900					
		1A					

Notes:

- 1 Gray, Black, and Dark Bronze standard. Consult factory for other finishes.
- 2 Specified drive current code is the factory set maximum drive current. Field adjustable current selector enables standard dimming to lower wattage drive currents only. Consult factory if wattage limits require a special drive current.
- 3 Non-field adjustable, fixed drive current. Specify required drive current code. Not available with PCR7-CR option.
- 4 The FFA option enables full field adjustability from the specified drive current code to all drive currents available. This option is not DLC qualified.
- 5 Field adjustable current selector included to enable standard dimming to lower wattage drive currents only. Field changeable connectors included to enable connection to PCR7 (wireless node dimming is disabled by default).
- 6 Control-ready wired at factory for wireless node dimming. Supplied at maximum drive current. If a lower drive current is required, consult factory.
- 7 Specify the CF Option for coastal installation. See warranty for details.
- 8 Flush mounted house side shield. Shield cuts light off at 1/2 mounting height behind luminaire.
- 9 Flush mounted cul-de-sac shield. Shield cuts light off at 1/2 mounting height behind luminaire and 1-1/2 mounting height on either side of luminaire.
- 10 Flush mounted front side shield cuts light off at approximately one mounting height in front of luminaire (street side).
- 11 Specify Color (GY, DB, BK)
- 12 Specify MV (120-277V) or HV (347-480V).

Accessories*

HSSGCJ ⁸	House Side Shield, Snap-On*
CSSGCJ ⁹	Cul-De-Sac Side Shield, Snap-On*
FSSGCJ ¹⁰	Front Side Shield, Snap-On*
SPB ¹¹	Square Pole Horizontal Arm Bracket
RPB ¹¹	Round Pole Horizontal Arm Bracket
PTB ¹¹	Pole Top Tenon Horizontal Arm Bracket
PTB2 ¹¹	Pole Top Tenon Horizontal Arm Bracket (2@180°)
WB ¹¹	Wall Horizontal Arm Bracket
BSK	Bird Deterrent Spider Kit
LLPC ¹²	Long-Life Twist Lock Photocontrol
SC	Twist Lock Shorting Cap

*Accessories are ordered separately and not to be included in the catalog number. For factory installed HSS, CSS, and FSS specify as option in luminaire catalog number.

Luminaire Specifications

Housing

Die cast aluminum housing with universal two-bolt slip fitter mounts to 1-1/4" to 2" (1-5/8" to 2-3/8" O.D.) diameter mast arm. One-piece aluminum housing provides passive heat-sinking of the LEDs and has upper surfaces that shed precipitation. Four-bolt mounting bracket is available. Mounting provisions meet 3G vibration per ANSI C136.31-2010 Normal Application, Bridge & Overpass. Mounting has leveling adjustment from ± 5° in 2.5° steps. Electrical components are accessed without tools via a high-strength, non-conductive polycarbonate door with quick-release latches. Polycarbonate material meets UL 746C for outdoor usage. Available rubber wildlife guard (RWG option) conforms to mast arm with no gaps.

Light Emitting Diodes

Hi-flux/Hi-power white LEDs produce a minimum of 90% of initial intensity at 100,000 hours of life based on IES TM-21 (L90 ≥ 100k hours). LEDs are tested in accordance with IES LM-80 testing procedures. LEDs have correlated color temperature of 2700K (27) and 70 CRI minimum. LEDs are 100% mercury and lead free.

Field Adjustability

LED drive current can be changed in the field to adjust light output for local conditions (not available with PCR7-CR option). The specified drive current code will be the factory set maximum drive current and field adjustments can only be made to available lower wattage drive currents. Select the FFA option if full field adjustability to all available drive currents (700mA max or 1A max) is desired. The FFA option is not DLC qualified.

Quality Control

Every luminaire is performance tested before and after a 2-hour burn-in period. Assembled in the USA.

Optical Systems

Micro-lens optical systems produce IESNA Type 2, Type 3, Type 4, or Type 5 distributions and are fully sealed to maintain an IP66 rating. Luminaire produces 0% total lumens above 90° (BUG Rating, U=0). Optional house side shield cuts light off at 1/2 mounting height behind luminaire. Cul-de-sac shield provides back and side light control for end of cul-de-sac applications. Both shields are field installable without tools.

Electrical

Rated life of electrical components is 100,000 hours. Uses isolated power supply that is 1-10V dimmable. Power supply is wired with quick-disconnect terminals. Power supply features a minimum power factor of .90 and <20% Total Harmonic Distortion (THD). EMC meets or exceeds FCC CFR Part 15. Terminal block accommodates 6 to 14 gauge wire. Surge protection complies with IEEE/ANSI C62.41 Category C High, 20kV/10kA and ANSI C136.2-2015, 20kV/10kA.

Controls

3-Wire photocontrol receptacle is standard. ANSI C136.41 7-wire (PCR7) photocontrol receptacles is available. All photocontrol receptacles have tool-less rotatable bases. Wireless control module is provided by others.

Finish

Housing receives a durable, fade-resistant polyester powder coat finish with 3.0 mil nominal thickness. Standard finish tested to withstand 5000 hours in salt spray exposure per ASTM B117 and Coastal Finish per ASTM G85. Finish meets scribe creepage rating 8 per ASTM D1654. Finish tested 500 hours in UV exposure per ASTM G154 and meets ASTM D523 gloss retention.

Listings/Ratings/Labels

Luminaires are UL listed for use in wet locations in the United States and Canada. Consult DLC QPL for Classification Listings. International Dark Sky Association listed. Luminaire is qualified to operate at ambient temperatures of -40°C to 40°C. Assembled in the U.S.A

Photometry

Luminaires photometrics are tested by certified independent testing laboratories in accordance with IES LM-79 testing procedures.

Warranty

10-year limited warranty is standard on luminaire and components.

Vandal Resistance

Housing and optics rated to IK10

Standards

Luminaire complies with:

ANSI: C136.2, C136.3, C136.10, C136.13, C136.15, C136.22, C136.31, C136.35, C136.37, C136.41, C62.41, C78.377, C82.77

Other: FCC 47 CFR, IEC 60598, ROHS II, UL 1449, UL 1598

Performance Data: 2700K (27)

All data nominal. IES files for all CCTs available at leotek.com.

Product	LED Code	Drive Current Code	System Wattage (W)	Delivered Lumens (Lm) ¹	Efficacy (Lm/W)
GCJ0	15H	300	15	1720	115
		390	19	2170	114
		490	24	2700	113
		590	30	3240	108
		700	35	3710	106
GCJ1	20H	350	25	2890	116
		450	29	3300	114
		530	34	3780	111
		580	39	4250	109
		700	46	4870	106
GCJ2	20H	700	45	4770	106
		830	54	5490	102
		900	58	5810	100
		1A	68	6610	97

Notes:

1 Nominal lumens. Normal tolerance $\pm 10\%$ due to factors including distribution type, LED bin variance, and ambient temperatures.